

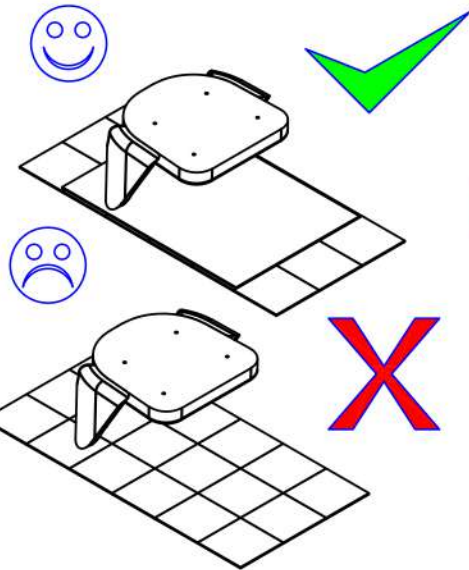





	10 min

Cord 	Ord 
--	---



1	x1	2	x1	3	x4	5	x4
							
				4	x4	M6x30	M8

